

RP301

Roland Digital Piano

Owner's Manual

Roland

English

Deutsch

Français

Italiano

Español

Português

Nederlands

Look What You Can Do!

Play the Piano

Play using various sounds → p. 7

This unit contains a wide variety of tones (sounds).
You can freely select and perform using these tones.

Sound a metronome → p. 7

You can sound a metronome.

Play duets → p. 8

You can divide the keyboard into left and right halves, playing it as though it were two pianos.

Play and Record Songs

Play the built-in songs → p. 10

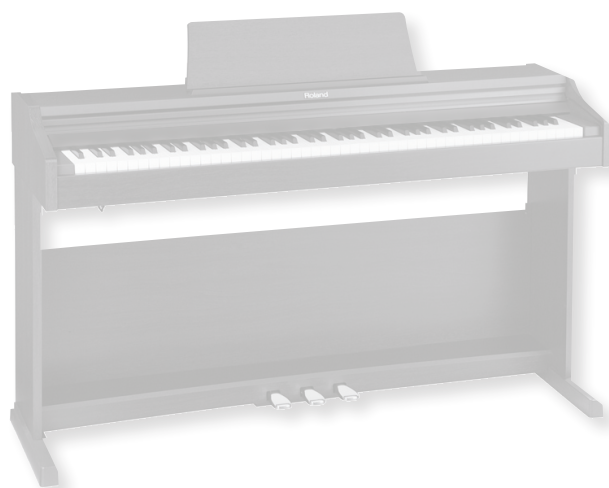
This unit contains numerous built-in songs.
For the song titles, refer to "Internal Song List" (p. 19).

Play back individual parts → p. 10

You can practice along with a song while listening to only the right-hand or left-hand part play back.

Record your performance → p. 11

You can record your own performances.



Personalize Your Piano

Adjust the keyboard touch → p. 9

You can adjust the touch sensitivity of the keyboard to match your own playing style.

Add reverberation → p. 9

You can add reverberation (reverb) to create the sensation of performing in a concert hall.

Adjust the brightness → p. 9

You can adjust the tone quality of the sound, ranging from a brilliant timbre to a mellow tone.

Shift the keyboard pitch → p. 13

You can use the Transpose function to transpose the keyboard in semitone steps.

Contents

Look What You Can Do!	2
Panel Descriptions	4
Front Panel	4
Rear Panel Connections	5
Before You Play	6
Opening/Closing the Lid	6
Turning the Power On/Off	6
Performing	7
Selecting Tones	7
Using the Metronome	7
Changing the Tempo	7
Changing the Beat	7
Dividing the Keyboard in Two (Twin Piano)	8
Disabling the Buttons (Panel Lock)	8
Adjusting the Keyboard Sensitivity and the Sound	9
Adjusting the Keyboard Sensitivity (Key Touch)	9
Adding Reverberation to Sounds (Reverb Effect)	9
Adjusting the Brilliance of the Sound	9
Playing Back Songs	10
Playing Parts (Left/Right Hand) Separately	10
Sounding a Count Before Playback	10
Recording	11
Various Settings (Function Mode)	12
Basic Operation in Function Mode	12
Saving the Settings (Memory Backup)	12
Function Settings	13
Changing the Key of the Keyboard (Transpose)	13
Matching the Pitch with Other Instruments (Master Tuning)	13
Controlling Video Equipment (Visual Control Mode/Channel)	13
MIDI Transmit Channel Settings	14
Preventing Double Notes when Working with a Sequencer (Local Control)	14
Making the Power Automatically Turn Off After a Time (Auto Off)	15
Restoring the Settings to the Factory Condition (Factory Reset)	15
Troubleshooting	16
Message List	17
Main Specifications	17
Tone List	18
Internal Song List	19
USING THE UNIT SAFELY	20
IMPORTANT NOTES	21
Assembling	22
Index	24



English

Deutsch

Français

Italiano

Español

Português

Nederlands

Before using this unit, carefully read the sections entitled: "USING THE UNIT SAFELY" (p. 20) and "IMPORTANT NOTES" (p. 21). These sections provide important information concerning the proper operation of the unit. Additionally, in order to feel assured that you have gained a good grasp of every feature provided by your new unit, Owner's Manual should be read in its entirety. The manual should be saved and kept on hand as a convenient reference.

Panel Descriptions

Front Panel

Piano [Grand], [Ensemble] buttons

Use these buttons to select tones (p. 7) or adjust the manner in which they are sounded (p. 9).

To select a grand piano	Press the [Grand] button.	To adjust the reverberation	Hold down the [Grand] button and press the [-] [+] buttons.
To select various piano tones	Press the [Ensemble] button.	To adjust the brightness	Hold down the [Ensemble] button and press the [-] [+] buttons.
To select other tones	Press [Grand] or [Ensemble] button, and then press the [-] [+] buttons.		

[Volume] knob

This adjusts the volume.



[Key Touch] button

This changes the touch sensitivity of the keyboard (p. 9).

To adjust the touch sensitivity	Hold down the [Key Touch] button and press the [-] [+] buttons.
To select the standard touch sensitivity	Turn off the [Key Touch] button.

[Twin Piano] button

This divides the keyboard into left and right sections so that two people can play the same range of pitches (p. 8).

To enable Twin Piano mode	Turn on the [Twin Piano] button.
To change how the sound is heard (in Twin Piano mode)	Hold down the [Twin Piano] button and press the [-] [+] buttons.

[Power] switch

This turns the power on/off (p. 6).

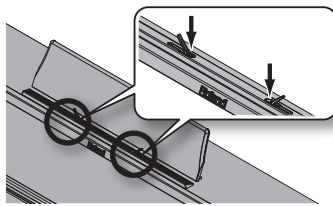
*** With the factory settings, the unit's power will automatically be switched off 240 minutes (4 hours) after you stop playing or operating the unit.**

If the unit's power has been turned off automatically, you can use the [Power] switch to turn the unit back on again.

If you don't want the power to turn off automatically, change the "Auto Off" setting to "OFF" as described on "Making the Power Automatically Turn Off After a Time (Auto Off)" (p. 15).

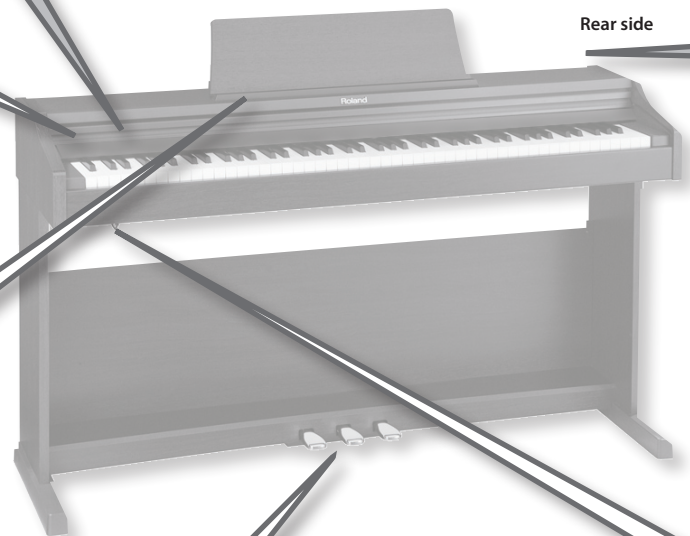


Music holders



You can use the holders to hold pages in place.

When not using the holders, leave them folded down.



Damper Pedal

Use this pedal to sustain the sound. While this pedal is held down, notes will be sustained for an extended time even if you release your fingers from the keyboard. The length of the sustain will change subtly depending on how deeply you press the pedal. On an acoustic piano, holding down the damper pedal will cause the strings for notes other than the ones you actually play to vibrate in sympathy with what you've played, producing a rich resonance. This unit simulates this sympathetic vibration (damper resonance).

Sostenuto Pedal

This pedal sustains only the notes of the keys that were already pressed when you pressed the pedal.

Soft Pedal

This pedal is used to make the sound softer. Playing with the soft pedal depressed produces a sound that is not as strong as when otherwise played with the equivalent strength. This is the same function as the left pedal of an acoustic piano. The softness of the tone can be varied subtly by the depth to which you press the pedal.

Display

This indicates the tone number, song number, measure number, tempo, selected function, or value.

Tone number	Grand piano	01	Song number	Internal song	201
	Various piano tones	En1		User	401
	Other	01	Tempo		108

[Metronome] button

This sounds the metronome (p. 7).

To sound the metronome	Turn on the [Metronome] button.
To change the tempo	Turn on the [Metronome] button to display the tempo, and then press the [-] [+] buttons.
To change the time signature	Hold down the [Metronome] button and press the [-] [+] buttons.



[-] [+] buttons

Use these buttons to select tone variations or songs, or to edit various settings. To make the value increase quickly, hold down the [+] button and press the [-] button. Conversely, to make the value decrease quickly, hold down the [-] button and press the [+] button.

[Song] button

Use this button to play (p. 10) or record (p. 11) songs.

To play/stop a song	Press the [Song] button.
To select a song	With the display showing the song number (the song stopped), press the [-] [+] buttons.

To fast-forward/fast-reverse	With the display showing the measure number (the song playing), press the [-] [+] buttons.
To play songs consecutively	Hold down the Piano [Ensemble] button and press the [Song] button.
To play back with the right-hand part muted	Hold down the [Song] button and press the [+] button to switch it on/off.
To play back with the left-hand part muted	Hold down the [Song] button and press the [-] button to switch it on/off.
To record	First, hold down the [Metronome] button and press the [Song] button; then press the [Song] button.

Rear Panel Connections

Input jack

If you use a cord with a stereo mini-plug to connect an audio player or similar device, the sound of the connected device will be heard through this unit. Use the controls of the connected device (audio player) to adjust the volume.

Output jacks

If you connect these jacks to amplified speakers, the sound of this unit will be heard through them.

MIDI connectors

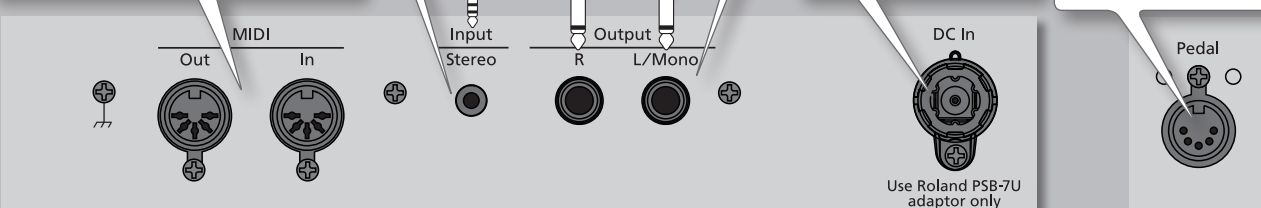
For connecting MIDI device (p. 14).

DC In jack

Connect the included AC adaptor here (p. 22).

Pedal connector

Connect the pedal cord of the dedicated stand here (p. 22).



* To prevent malfunction and/or damage to speakers or other devices, always turn down the volume, and turn off the power on all devices before making any connections.

Headphone jacks

Since this unit has two headphone jacks, two people can also use headphones simultaneously. If you're using only one set of headphones, you may connect them to either of the two headphone jacks.

Whenever you are not using the headphones, you can hang them on the headphone hook.

Don't forget to remove your headphone adaptor plug!

If you leave a headphone adaptor plug inserted in the headphone jack, no sound will be heard from the piano. If you don't hear sound from the piano, check the headphone jacks.

* Do not hang anything other than headphones on the headphone hook. Do not apply undue force to the hook. Otherwise, you risk damaging the hook.



English

Deutsch

Français

Italiano

Español

Português

Nederlands

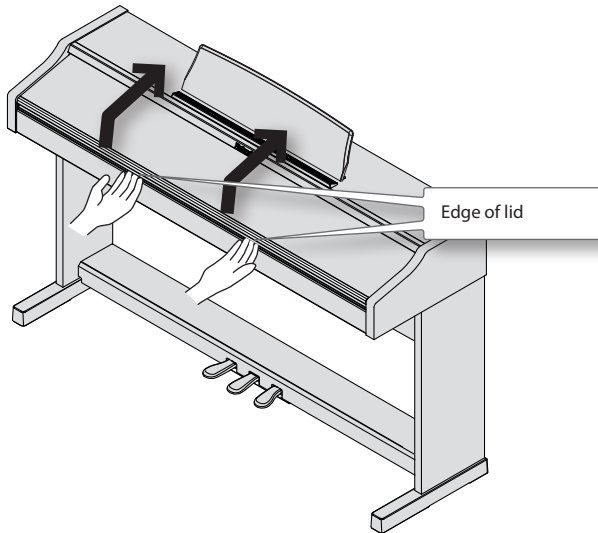
Before You Play

Opening/Closing the Lid

First, open the lid. You must use both hands to open or close the lid.

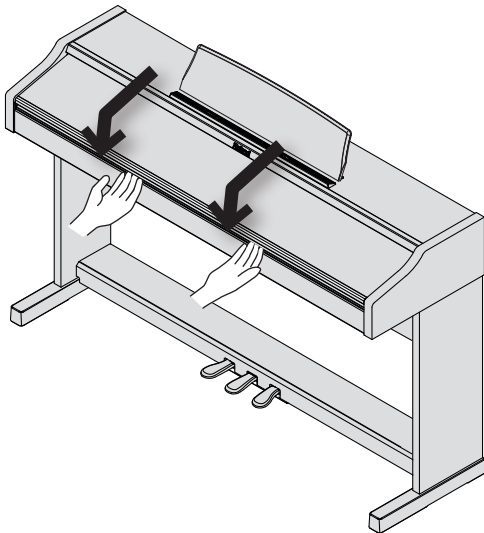
Opening the Lid

1. Use both hands to lift the edge of the lid, and push it away from yourself.



Closing the Lid

1. Grasp and gently lower the edge of the lid with both hands.



NOTE!

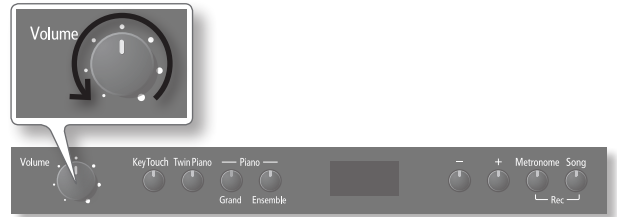
- When opening and closing the lid, be careful not to let your fingers get caught. If small children will be using the piano, adult supervision should be provided.
- If you need to move the piano, make sure the lid is closed first to prevent accidents.

Turning the Power On/Off

Once the connections have been completed (p. 22), turn on power to your various devices in the order specified. By turning on devices in the wrong order, you risk causing malfunction and/or damage to speakers and other devices.

Turning the Power On

1. Turn the [Volume] knob all the way toward the left to minimize the volume.



2. Turn the [Power] switch ON.



After a brief interval, you'll be able to produce sounds by playing the keyboard.

3. Use the [Volume] knob to adjust the volume.

* This unit is equipped with a protection circuit. A brief interval (a few seconds) after power up is required before the unit will operate normally.

* Before switching the power on/off, always be sure to turn the volume down. Even with the volume turned down, you might hear some sound when switching the power on/off. However, this is normal and does not indicate a malfunction.

Turning the Power Off

1. Turn the [Volume] knob all the way toward the left to minimize the volume.
2. Turn the [Power] switch OFF.

If you don't want the power to turn off automatically, turn the "Auto Off" setting off!

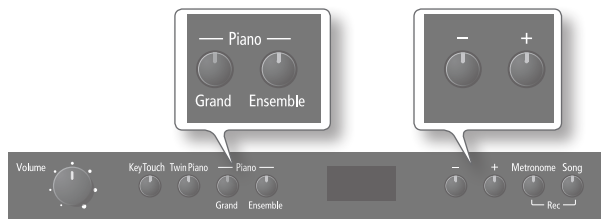
With the factory settings, the unit's power will automatically be switched off 240 minutes (4 hours) after you stop playing or operating the unit.

If the unit's power has been turned off automatically, you can use the [Power] switch to turn the unit back on again. If you don't want the power to turn off automatically, change the "Auto Off" setting to "OFF" as described on "Making the Power Automatically Turn Off After a Time (Auto Off)" (p. 15).

Selecting Tones

This unit contains numerous tones (sounds). The tones are organized into two groups. The Piano [Grand] button is for the grand piano tone group, and the [Ensemble] button is for group of the piano combined with other tones such as strings or bass.

The Tone "Grand Piano 1" (GP 1) is selected when the instrument's power is turned on.



1. Press the Piano [Grand] or [Ensemble] button to select a tone group.

2. Press the [-] [+] buttons to select the desired tone variation from within the tone group.

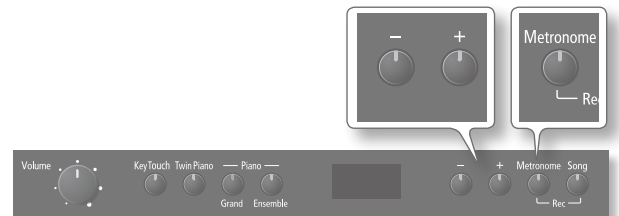
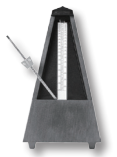
The display shows the tone number.

Button	Display	Explanation
Piano [Grand] button	GP1	A splendid concert grand piano sound. This is the most highly recommended tone; it can be used for any style of music.
	GP2	A more mellow grand piano sound. Appropriate for quiet songs.
	GP3	A brilliant grand piano sound. Appropriate when you want the piano to stand out in the band.
	GP4	A honky-tonk piano. Ideal for ragtime.
Piano [Ensemble] button	En1	GP1 layered with strings.
	En2	GP1 layered with choir.
	En3	GP1 layered with bell.
	En4	The low range plays a bass and ride cymbal, and the mid and high ranges play the GP1. Ideal for performing a "piano trio" by yourself.
	01	These are various tones other than piano.
	022	Reference For details, refer to "Tone List" (p. 18).

Using the Metronome

You can perform while the metronome sounds. You can adjust the tempo or beat of the metronome.

If a song is playing, the metronome will sound at the tempo and beat of that song.



1. Press the [Metronome] button so it's lit.

The metronome will begin sounding and the currently selected tempo value will be displayed.



The [Metronome] button will blink in synchronization with the time signature and tempo of the selected song.

To stop the metronome, press the [Metronome] button once again.

Changing the Tempo

1. Press the [Metronome] button to get the display to indicate the current tempo.

2. Press the [-] [+] buttons to adjust the tempo.

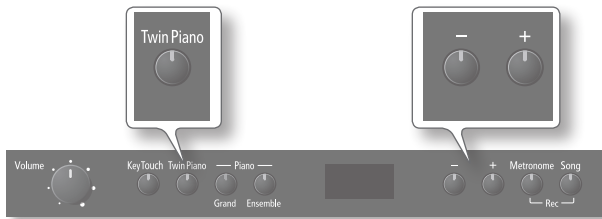
Changing the Beat

1. Hold down the [Metronome] button and press the [-] [+] buttons to select the beat.

Display	Beat	Display	Beat
22	2/2	64	6/4
04	Only weak beats will be sounded.	74	7/4
24	2/4	38	3/8
34	3/4	68	6/8
44	4/4 (default)	98	9/8
54	5/4	128	12/8

Dividing the Keyboard in Two (Twin Piano)

You can divide the keyboard into left and right sections so that two people can play the same pitch ranges. This function lets you use the unit as though it were two pianos.

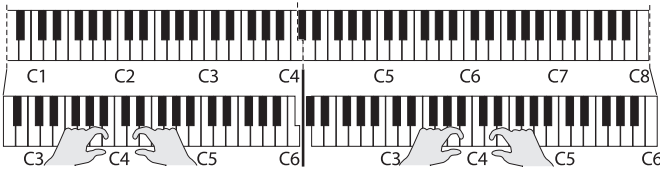


1. Press the [Twin Piano] button so it's lit.

Twin Piano will turn on, and the following settings will be applied.

- The keyboard will be divided into left and right sections, with "middle C" located in the center of each section.
- The left and right sections will have the same tone (Grand Piano 1).
- The right pedal (damper pedal) will be the damper pedal for the right section, and the left pedal (soft pedal) will be the damper pedal for the left section.

* Twin Piano will be cancelled if you choose a tone other than Grand Piano 1 (GP1).



Canceling Twin Piano

Press the [Twin Piano] button once again so its light goes out.

Choosing how Twin Piano will sound (Twin Piano Mode)

You can choose one of the following ways in which the sound will be heard.

1. Hold down the [Twin Piano] button and use the [+] [-] buttons to select the Twin Piano mode.

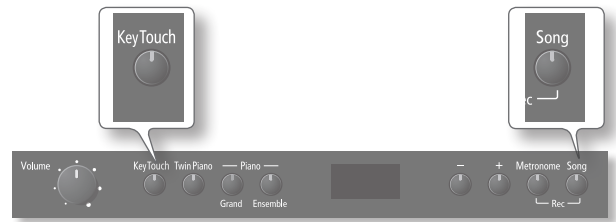
Value	Explanation
1	The sound will be heard from the right as you play toward the right of the keyboard, and from the left as you play toward the left.
2	Notes played in the right area will be heard from the right speaker, and notes played in the left area will be heard from the left speaker. If you're using headphones, the sound of the right-side section will be heard in the right ear, and the sound of the left-side section will be heard in the left ear.

MEMO

When the power is turned off, this unit's settings will return to their default state. However, you can save this setting so that it will still be available the next time the power is turned on. To save the setting, proceed as described in "Saving the Settings (Memory Backup)" (p. 12).

Disabling the Buttons (Panel Lock)

When you activate Panel Lock, all buttons will be disabled. This prevents the tones or settings from being changed if you inadvertently press a button.



1. Hold down the [Song] button and press the [Key Touch] button.

Panel Lock will be activated. All buttons will be disabled.

The display will show the following.



Canceling the Panel Lock function

Once again hold down the [Song] button and press the [Key Touch] button.

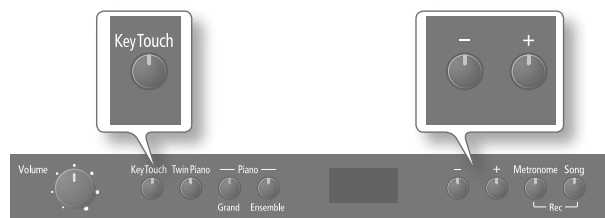
MEMO

Panel Lock will be cancelled when you turn off the power.

Adjusting the Keyboard Sensitivity and the Sound

Adjusting the Keyboard Sensitivity (Key Touch)

Here's how to change the way in which the sound responds to your keyboard dynamics. You can adjust the response as appropriate for your playing strength.



1. Press the [Key Touch] button so it's lit.

Now you can adjust the key touch.

[Key Touch] button	Explanation
OFF (unlit)	The key touch setting will be set to "medium." This sets the standard keyboard touch. You can play with the most natural touch. This is the closest to the touch of an acoustic piano.
ON (lit)	The key touch setting you selected in step 2 will be applied.

2. Hold down the [Key Touch] button and press the [-] [+] buttons to adjust the keyboard touch.

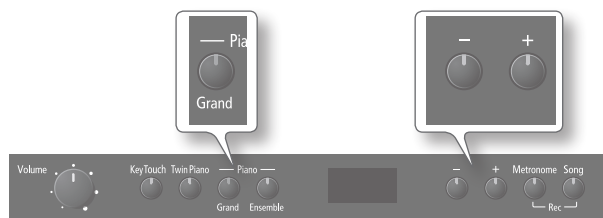
Display/Value	Explanation
F	Fixed The sound plays at one set volume, regardless of the force used to play the keys.
L2	Super Light This setting produces the lightest keyboard touch.
L1	Light You can achieve fortissimo (ff) play with a less forceful touch than "medium," so the keyboard feels lighter. This setting makes it easy to play, even for children.
M	Medium This sets the standard keyboard touch. You can play with the most natural touch. This is the closest to the touch of an acoustic piano.
H1	Heavy You have to finger the keyboard more forcefully than "medium" in order to play fortissimo (ff), so the keyboard touch feels heavier. Dynamic fingering adds even more feeling to what you play.
H2	Super Heavy This setting produces the heaviest keyboard touch.

MEMO

When the power is turned off, this unit's settings will return to their default state. However, you can save this setting so that it will still be available the next time the power is turned on. To save the setting, proceed as described in "Saving the Settings (Memory Backup)" (p. 12).

Adding Reverberation to Sounds (Reverb Effect)

You can apply a reverb effect to the notes you play on the keyboard. With the reverb effect, you obtain a pleasant reverberation, making it sound as if you were performing in a concert hall or similar space.



1. Hold down the Piano [Grand] button and press the [-] [+] buttons to adjust the depth for the reverb effect.

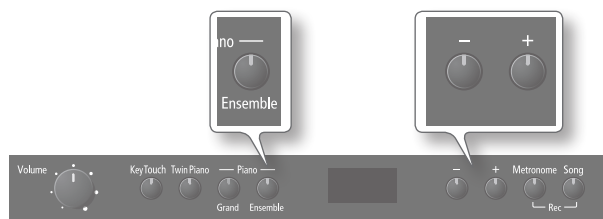
Value	Explanation
OFF	Reverb will not be applied.
1 - 10 (default: 5)	Adjust the reverb depth over ten levels. Higher values produce deeper reverb.

MEMO

When the power is turned off, this unit's settings will return to their default state. However, you can save this setting so that it will still be available the next time the power is turned on. To save the setting, proceed as described in "Saving the Settings (Memory Backup)" (p. 12).

Adjusting the Brilliance of the Sound

Here's how to adjust the brilliance of the sound.



1. Hold down the Piano [Ensemble] button and press the [-] [+] buttons to adjust the brightness of the sound.

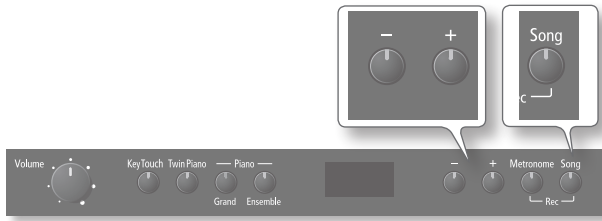
Value	Explanation
- 10 - 0 - 10 (default: 0)	Adjust the brilliance of the sound. Positive (+) settings brighten the tone, and negative (-) settings make it more mellow.

MEMO

When the power is turned off, this unit's settings will return to their default state. However, you can save this setting so that it will still be available the next time the power is turned on. To save the setting, proceed as described in "Saving the Settings (Memory Backup)" (p. 12).

Playing Back Songs

Let's try listening to the internal songs and the songs recorded in internal memory. For the titles of the internal songs, refer to "Internal Song List" (p. 19).



Play back a song

1. Press the [Song] button so it's lit.

The song will begin playing.

When the song has finished playing to the end, it will stop.

During playback, the display will indicate the currently playing measure of the song.



Fast-forward or fast-reverse the song

1. While the song is playing, press the [-] [+] buttons.

This allows you to fast-forward or fast-reverse the song.

The measure indication in the display will increase or decrease each time you press the button.

By holding down a button, you can rapidly increase or decrease the measure number.

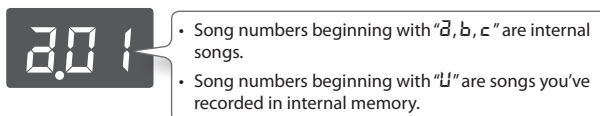
Stop the song

1. Press the [Song] button so its light goes out.

The song will stop.

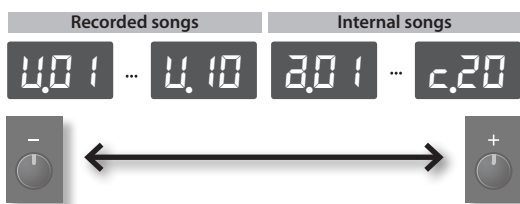
Select a song

While the song is stopped, the display will indicate the song number.



1. When the song number is displayed, press the [-] [+] buttons.

This allows you to select a song. If you've stopped in the middle of a song, you can press the [-] button to return to the beginning of the song.



* The songs in internal memory (U.01 - U.10) will not be shown if they have not been recorded.

* For the titles of the internal songs, refer to "Internal Song List" (p. 19).

Play songs consecutively

1. Hold down the Piano [Ensemble] button and press the [Song] button.

The songs will be played back successively.

When the currently playing song ends, the next song will play.

Playing Parts (Left/Right Hand) Separately

You can select and play back the parts (left-hand or right-hand) separately. This is a convenient way to practice by playing along with a song one hand at a time.

1. Hold down the [Song] button and press the [-] [+] buttons to select the part that you want to play back.

Button	Lit/Unlit	Explanation
[-] button (left-hand part)	Lit	Left-hand part will sound
	Unlit	Left-hand part is muted (or contains no performance data)
[+] button (right-hand part)	Lit	Right-hand part will sound
	Unlit	Right-hand part is muted (or contains no performance data)

* This setting will be cancelled if you select another song.

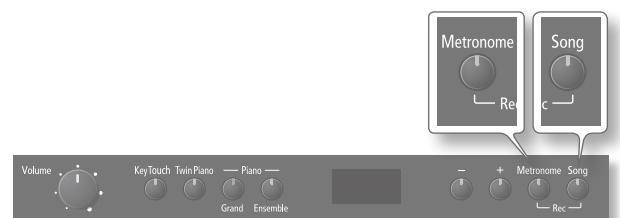
MEMO

The parts (left-hand / right-hand) are indicated as follows for the internal songs (a, b, c) and the songs you've recorded (U).

Songs	Left-Hand Part	Right-Hand Part	
Internal Songs (a, b, c)	Left-hand part	Right-hand part	
Recorded Songs (U)	Twin Piano (p. 8)	Left-hand piano	Right-hand piano
	Split Tones (p. 18)	Left-hand tone	Right-hand tone
	Others	No performance data	All parts (both hands)

Sounding a Count Before Playback

If you're playing along with a song, it will be easier to synchronize your playing with the song if a count is sounded before playback begins.



1. Press the [Metronome] button to turn on the metronome (p. 7).

2. Press the [Song] button to play back the song.

A two-measure count will sound before the song plays.

During the count, measure numbers "- 2" and then "- 1" will appear in the display.

Recording

You can record your performances.

You can play back a performance you have recorded to check what and how you played, and play melodies on the keyboard along with prerecorded accompaniment.



Getting ready to record

1. Select the tone that you want to play (p. 7).
2. Sound the metronome if desired.

Press the [Metronome] button.

While the metronome is sounding, specify the tempo and time signature of the song (p. 7).

Entering recording-standby mode

3. Hold down the [Metronome] button and press the [Song] button.

The [Song] button will blink; the unit will enter recording-standby mode.

MEMO

If you decide not to record (i.e., if you want to exit recording-standby mode), hold down the [Metronome] button once again and press the [Song] button.

Selecting the song number to record

4. Press the [-] [+] buttons to select the song number (00-99) that you want to record.



A song with no recorded data (empty song)

- Song number shown with lowercase "0"
- No dot shown



A song with recorded data

- Song number shown with uppercase "0"
- Dot shown

NOTE!

If you select a song that already contains data (song number with an uppercase "U") and record, the previously recorded data will be lost.

Starting recording

5. Press the [Song] button.

A two-measure count will sound, and then recording will start.

During the count, measure numbers "- 2" and then "- 1" will appear in the display.

If you don't want a count to sound before recording

Recording will start automatically if you play the keyboard while in recording-standby mode.

Stopping recording

6. Press the [Song] button.

Recording will stop.

The song will automatically be saved when you stop recording.

* While the song is being saved, an animation of a rotating "o" symbol will appear in the display for several seconds. **Do not turn off the power during this time. Doing so might cause the saved song to be lost.**

When saving has been completed, the [Song] button will go out.

Listening to the recorded song

After recording, you can press the [Song] button to immediately play back the recorded song. For details on song playback methods, refer to "Playing Back Songs" (p. 10).

If you want to re-do the recording

You can repeat the procedure from step 1 on this page to re-record at the same song number.

If you want to erase the recorded song

You can erase a song by recording an empty song as follows.

- Repeat the procedure from step 3 on this page.
- In step 4 of the procedure, select the song number that you want to erase.
- In step 5, press the [Song] button to hear the two-measure count, and then press the [Song] button without playing the keyboard.

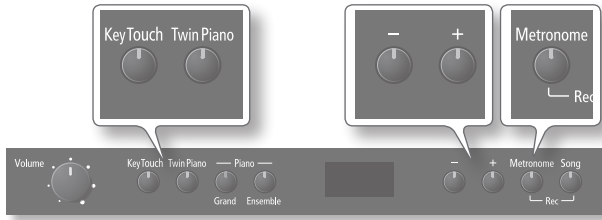
A song containing no notes will be recorded; the song has been erased.

Various Settings (Function Mode)

Function mode lets you make various settings for this unit.

Basic Operation in Function Mode

Here's the basic procedure for making settings in Function mode.



1. Hold down the [Key Touch] button and press the [Twin Piano] button.

The display will indicate "F0 1" (or F02 – F0B); the unit is now in Function mode.

2. Press the [-] [+] buttons to select the function setting (F0 1 – F0B) that you want to change.

Reference

For details on each function setting (F0 1 – F0B), refer to "Function Settings" (p. 13).

3. Press the [Metronome] button.

This confirms the function setting that you want to edit; the display will indicate the value of that setting.

4. Press the [-] [+] buttons to edit the value of the setting.

Reference

For details on the values of each function, refer to "Function Settings" (p. 13).

MEMO

By pressing the [Metronome] button you can return to the function setting screen (F0 1 – F0B). If you want to edit other function settings, repeat steps 2–4.

5. Press the [Key Touch] button or the [Twin Piano] button to exit Function mode.

Saving the Settings (Memory Backup)

When this unit's power is turned off, it will return to its default settings. However, if desired, you can save the following settings so that they will be remembered even after the power is off. This is called the "Memory Backup" function.

Settings saved by Memory Backup	Page
Key Touch	p. 9
Twin Piano Mode	p. 8
Reverb	p. 9
Brilliance	p. 9
Master Tuning	p. 13

1. Hold down the [Key Touch] button and press the [Twin Piano] button.

The display will indicate "F0 1" (or F02 – F0B); the unit is now in Function mode.

2. Press the [+] button a number of times until "F0B" is shown in the display.

3. Press the [Metronome] button.

The display will indicate "Sur" (Sure?), and the [-] button and [+] button will blink.

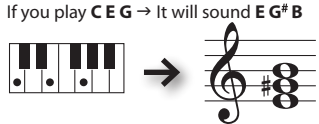

If you decide not to save the settings, press the [-] button.

4. To save the settings, press the [+] button.

When the memory backup has been completed, the display will indicate "F0B."

5. Press the [Key Touch] button or the [Twin Piano] button to exit Function mode.

Function Settings

Display	Function Setting	Value	Explanation						
F01	Transpose	-5 - 0 - 5 (semitone steps) (default: 0)	<h3>Changing the Key of the Keyboard (Transpose)</h3> <p>You can use the Transpose function to transpose the keyboard in semitone steps.</p> <p>If you play C E G → It will sound E G# B</p>  <p>For example, if a song is in the key of E major, and you want to play it with the fingering of C major, set Transpose to a value of "4".</p>						
F02	Master Tuning	15.3 - 400 - 66.2 (415.3 Hz-440.0 Hz-466.2 Hz) (default: 400)	<h3>Matching the Pitch with Other Instruments (Master Tuning)</h3> <p>When playing ensemble with other instruments and in other such instances, you can match the standard pitch to another instrument.</p> <p>The standard pitch generally refers to the pitch of the note that's played when you finger the middle A key. For a cleaner ensemble sound while performing with one or more other instruments, ensure that each instrument's standard pitch is in tune with that of the other instruments.</p> <p>In the display, the last two digits of the whole number and the digit to the right of the decimal point are indicated. "440.0 Hz" is indicated in the figure above.</p>  <p>MEMO You can save this setting so that it will still be available the next time the power is turned on. To save the setting, proceed as described in "Saving the Settings (Memory Backup)" (p. 12).</p>						
F03	Visual Control Mode	<div style="border: 1px solid black; width: 100%; height: 100%; position: relative;"> <div style="position: absolute; top: 0; right: 0; bottom: 0; left: 0;"> <h3>Controlling Video Equipment (Visual Control Mode/Channel)</h3> <p>Visual Control is a function that lets you control images along with your performance. If you've set Visual Control mode to 1 (MIDI Visual Control) or 2 (V-LINK), playing the keyboard of this unit will control the images produced by the Visual Control device connected to this unit using a MIDI cable.</p> <p>* By holding down the [Key Touch] button and pressing the Piano [Ensemble] button, you can switch this setting between "OFF" and "1".</p> </div> </div>	<table border="1" style="width: 100%;"> <tr> <td>0FF (default)</td> <td>Visual Control is off.</td> </tr> <tr> <td>1 (MIDI Visual Control)</td> <td>MIDI Visual Control mode is selected.</td> </tr> <tr> <td>2 (V-LINK)</td> <td>V-LINK mode is selected.</td> </tr> </table>	0FF (default)	Visual Control is off.	1 (MIDI Visual Control)	MIDI Visual Control mode is selected.	2 (V-LINK)	V-LINK mode is selected.
0FF (default)	Visual Control is off.								
1 (MIDI Visual Control)	MIDI Visual Control mode is selected.								
2 (V-LINK)	V-LINK mode is selected.								
F04	Visual Control Channel	1 - 15 (default: 1)	Specifies the MIDI channel used to transmit MIDI messages to the Visual Control device.						

What is MIDI Visual Control?

MIDI Visual Control is an internationally-used recommended practice that was added to the MIDI specification so that visual expression could be linked with musical performance. Video equipment that is compatible with MIDI Visual Control can be connected to electronic musical instruments via MIDI in order to control video equipment in tandem with a performance.



What is V-LINK?

V-LINK is Roland's proprietary specification that allows visual expression to be linked with musical performance. Video equipment that is compatible with V-LINK can be connected to electronic musical instruments via their MIDI ports, making it easy to enjoy a variety of visual effects that are linked with the performance.



Connection Examples

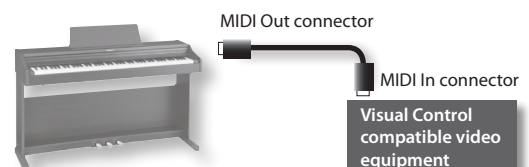
Connect a MIDI cable from this unit's MIDI Out connector (p. 5) to the MIDI In connector of your Visual Control compatible device.

* You'll need a MIDI cable (sold separately) in order to connect this unit to a device that supports Visual Control.

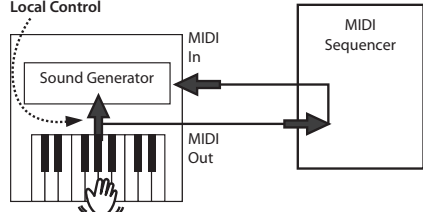
Visual Control Function Chart

Playing the lowest 12 keys of this unit (A0-G#1) will transmit the following MIDI messages.

Visual Control function	Transmitted MIDI message	This unit's operation
Switch images	CC 0 (Bank Select): 0-4	Play black keys
	Program Change: 1-7	Play white keys



Various Settings (Function Mode)

Display	Function Setting	Value	Explanation	
F05	MIDI Transmit Channel	0FF, 1 – 16 (default: 1)	<h3>MIDI Transmit Channel Settings</h3> <p>This setting specifies the MIDI channel on which this unit will transmit.</p> <p>MIDI uses sixteen "MIDI channels," which are numbered 1 through 16. By connecting MIDI devices and specifying the appropriate MIDI channel for each device, you can play or select sounds on those devices. This unit will receive all sixteen channels (1–16).</p>	
F06	Local Control	/	<h3>Preventing Double Notes when Working with a Sequencer (Local Control)</h3> <p>When you have a MIDI sequencer connected, set this parameter to Local Off.</p> <p>Since most sequencers have their Thru function turned on, notes you play on the keyboard may be sounded in duplicate, or get dropped. To prevent this, you can enable the "Local Off" setting so that the keyboard and internal sound generator will be disconnected.</p> 	
			0n (default)	Local Control is on. The keyboard and internal sound generator are connected.
			0FF	Local Control is off. The keyboard and internal sound generator are disconnected. Playing the keyboard will not produce sound.
F07	Auto Off	Refer to "Making the Power Automatically Turn Off After a Time (Auto Off)" (p. 15).		
F08	Memory Backup	Refer to "Saving the Settings (Memory Backup)" (p. 12).		

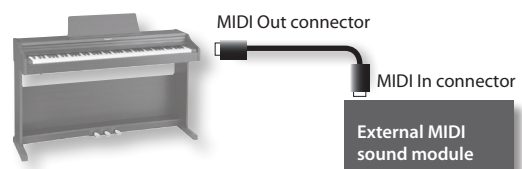
What is MIDI?

MIDI, short for "Musical Instrument Digital Interface," was developed as a universal standard for the exchange of performance data among electronic musical instruments and computers.

This unit is equipped with MIDI connectors to let it exchange performance data with external devices. These connectors can be used to connect the unit to an external device for even greater versatility.

Connection Examples

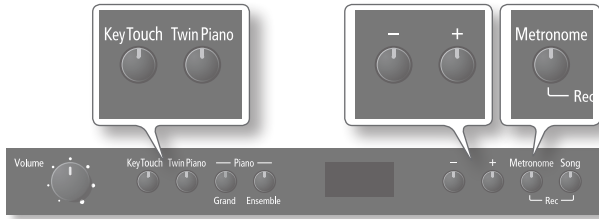
If you use a MIDI cable to connect this unit's MIDI Out connector (p. 5) to the MIDI In connector of your external MIDI sound module, you'll be able to produce sound on the external MIDI sound module by playing this unit's keyboard. As necessary, set the external MIDI sound module's receive channel to match this unit's MIDI transmit channel.



Making the Power Automatically Turn Off After a Time (Auto Off)

With the factory settings, the unit's power will automatically be switched off 240 minutes (4 hours) after you stop playing or operating the unit.

If you don't want the power to turn off automatically, change the "Auto Off" setting to "OFF" as follows.



1. Hold down the [Key Touch] button and press the [Twin Piano] button.

The display will indicate "F0 1" (or F02 - F08); the unit is now in Function mode.

2. Press the [-] [+] buttons to select "F0 1."
3. Press the [Metronome] button.

4. Press the [-] [+] buttons to select the Auto Off setting. If you don't want the power to turn off automatically, choose "OFF"

Value	Explanation
240 (default)	The power will automatically turn off when 240 minutes (4 hours) have passed since you last played or operated the unit.
OFF	The power will not turn off automatically.

5. Press the [Key Touch] button or the [Twin Piano] button to exit Function mode.

MEMO

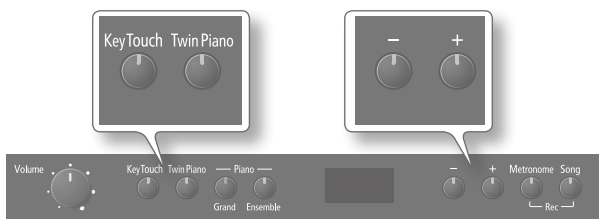
This setting is remembered even after the power is turned off.

Restoring the Settings to the Factory Condition (Factory Reset)

The settings you've changed in Function mode can be restored to their factory-set condition. This operation is called "Factory Reset"

NOTE!

The "Factory Reset" operation will erase all settings stored by the Memory Backup function, as well as all songs you've recorded in internal memory.



1. While holding down the [Key Touch] button and the [Twin Piano] button, turn on the power.

The display will indicate "Sur" (Sure?), and the [-] button and [+] button will blink.

If you decide not to execute the Factory Reset operation, press the [-] button.

2. To execute the Factory Reset, press the [+] button.

When the Factory Reset has been completed, the display will indicate "End."

* **Never turn off the power before the display indicates "End."**

3. Press the [Power] switch to turn the power off, then on again.

Troubleshooting

Symptom	Cause/Action	Page
Even though you're using headphones and the sound is muted, a thumping sound is heard when you play the keyboard	This unit uses a hammer action keyboard in order to simulate an acoustic piano's playing touch as realistically as possible. For this reason, you'll hear the hammers thump when you play the keyboard, just as you would when playing an acoustic piano. Since this unit allows you to adjust its volume, you might notice the sound of the hammers in certain situations, but this does not indicate a malfunction. If vibration transmitted to the floor or walls is a concern, you may be able to minimize the vibration by moving the piano away from the wall, or by laying down a commercially available anti-vibration mat designed for use with pianos.	—
Power turns off on its own	When 240 minutes (4 hours) have elapsed since you last played or operated this unit, the power will turn off automatically. (This is the factory setting.) If you don't need the power to turn off automatically, turn the "Auto Off" setting off.	p. 15
Power does not turn on	Is the AC adaptor connected correctly?	p. 22
Pedal does not work, or is "stuck"	Is the pedal connected correctly? Plug the cord firmly into the pedal connector.	p. 22
	If you disconnect the pedal cord from this unit while the power is on, the pedal effect may remain "stuck" in the On condition. You must switch off the unit's power before connecting or disconnecting the pedal cord.	—
The volume level of the instrument connected to Input jack is too low	Could Twin Piano be turned on? If Twin Piano is on, the right pedal will apply only to the right-hand section of the keyboard, and the left pedal will apply only to the left-hand section of the keyboard.	p. 8
	Could you be using a connection cable that contains a resistor? Use a connection cable that does not contain a resistor.	—
No sound/ No sound when you play back a song	Could the unit's volume or the volume of the connected equipment be turned down?	—
	Could headphones be connected? Could there be a plug inserted in a headphone jack? The speakers will not produce sound if headphones or plug are connected to the headphone jacks.	p. 5
	Has Local Control been set to "Off"? When Local Control is set to Off, no sound is produced by playing back a song. Set Local Control to On.	p. 14
No sound from the leftmost notes of the keyboard	Could the Visual Control mode be set to MIDI Visual Control or V-LINK? If the Visual Control mode is set to MIDI Visual Control or V-LINK, the lowest 12 keys of the keyboard (A0–G#1) are used to control images; they will not produce sound.	p. 13
No sound (when a MIDI device is connected)	Are all devices powered on?	—
	Are the MIDI cables connected correctly?	p. 14
	Do the MIDI channels of this unit and the connected device match?	p. 14
Not all the notes you play are sounded	The maximum simultaneous polyphony is 128 voices. If you're using the Dual tone (p. 18), if you're playing along with a song, or if you're making extensive use of the damper pedal, the performance data may exceed the available polyphony, possibly causing some of the notes you play to drop out.	—
Pitch of the keyboard or song is incorrect	Could you have made Transpose settings?	p. 13
	Is the Master Tune setting appropriate?	p. 13
	The notes of a piano are tuned using a unique method (stretched tuning), which makes upper-range notes slightly higher in pitch, and lower-range notes slightly lower in pitch. For this reason, you might perceive the pitch as being incorrect, but this is the way an acoustic piano should sound.	—
Sounds are heard twice (doubled) when the keyboard is played	Could you have selected a dual tone?	p. 18
	When this unit is connected to an external sequencer, set the Local Control to off. Alternatively, the sequencer could be set so its Soft Thru feature is Off.	p. 14
Reverberation remains even if you defeat the Reverb effect	The unit's piano sound faithfully simulates the depth and resonance of an acoustic piano, and this may give the impression of reverberation even if you've defeated the Reverb effect.	—
The sound of the higher notes suddenly changes from a certain key	On an acoustic piano, the approximately one and a half octaves of notes at the upper end of the keyboard will continue sounding regardless of the damper pedal. These notes also have a somewhat different tonal character. This unit faithfully simulate this characteristic of acoustic pianos. On this unit, the range that is unaffected by the damper pedal will change according to the transpose setting.	—
High-pitched ringing is heard	If you hear this in headphones: Piano sounds that have a brilliant and crisp character contain substantial high-frequency components that may sound as though a metallic ringing has been added. This is because the characteristics of an actual piano are being faithfully reproduced, and is not a malfunction. This ringing is more obtrusive if the reverb effect is applied heavily, so you may be able to minimize it by decreasing the reverb.	—
	If you don't hear this in headphones: It is likely that there is some other reason (such as resonances within the unit). Please contact your dealer or the nearest Roland service center.	—
Sound wrong, or are buzzy	If you set the volume to the maximum setting, the sound may be distorted depending on how you perform. If this occurs, turn down the volume.	—
	If you don't hear this in headphones: Performing at high volumes may cause the speakers or objects near the unit to resonate. Fluorescent lights or glass doors may also resonate sympathetically. In particular, this is more likely to occur for lower notes and higher volumes. You can take the following measures to minimize resonances. • Locate this unit 10–15 cm (4–6 inch) away from walls or other surfaces. • Keep the volume down. • Move away from the objects that are resonating.	—
	If you hear this in headphones: It is likely that there is some other reason. Please contact your dealer or a nearby Roland service center.	—

Message List

Indication	Meaning
E.40	This unit cannot deal with the excessive MIDI data sent from the external MIDI device. Reduce the amount of MIDI data sent to the unit.
E.41	A MIDI cable has been disconnected. Connect it properly and securely.
E.43	A MIDI transmission error has occurred. Check the MIDI cable and connected MIDI device.
E.51	There may be a problem with the system. Repeat the procedure from the beginning. If it is not solved after you have tried a number of times, contact the Roland service center.
Full	There is not sufficient free memory for recording songs. Delete unneeded files (p. 11), and try again.
---	The Panel Lock function is on (p. 8).
[]	Visual Control mode is set to MIDI Visual Control or V-LINK.
PU	When playing back a song, this is shown if the song starts on an upbeat.
Blinking number	When the Auto Off function is activated, and there is between 30 minutes and 1 minute remaining before the power will be turned off, the remaining time (in minutes) will blink in the display.

Main Specifications

Roland RP301: Digital Piano

Keyboard	
Keyboard	88 keys (Ivory Feel-G keyboard)
Touch Sensitivity	5 levels, Fixed Touch
Keyboard Modes	Whole Twin Piano
Sound Generator	
Piano Sound	SuperNATURAL Piano Sound
Max. Polyphony	128 voices
Tones	30 tones
Stretch Tuning	Always On
Master Tuning	415.3 Hz–466.2 Hz (adjustable in increments of 0.1 Hz)
Transpose	-6–+5 (in semitones)
Effects	Reverb (Off/1–10) Brilliance (-10–0–10) String Resonance (Always On, only for piano tones) Damper Resonance (Always On, only for piano tones) Key Off Resonance (Always On, only for piano tones)
Recorder	
Track	1 track
Songs	Recorder Section: 1 song Internal Memory: Max. 10 songs
Note Storage	Approx. 30,000 notes
Controls	Song Select, Play/Stop, Rec, Previous/Rewinding, Next/ Fast-forwarding, Track Mute, Tempo, All Song Play, Count-in
Tempo	Quarter note = 10 to 500
Resolution	120 ticks per quarter note
Metronome	Beat: 2/2, 0/4, 2/4, 3/4, 4/4, 5/4, 6/4, 7/4, 3/8, 6/8, 9/8, 12/8
Internal Memory	
Songs	Max. 10 songs
Song Save Format	Standard MIDI Files (Format 0)

Other	
Internal Songs	189 songs
Rated Power Output	12 W x 2
Speakers	12 cm x 2
Volume Level (SPL)	103 dB * This value was measured according to the method that is based on Roland's technical standard.
Display	7 segments, 3 characters LED
Control	Volume
Pedals	Damper (capable of continuous detection) Soft (capable of continuous detection) Sostenuto
Other Functions	Panel Lock, MIDI Visual Control
Connectors	DC In jack Pedal connector Input jack: Stereo miniature phone type Output jacks (L/Mono, R): 1/4-inch phone type MIDI connectors (In, Out) Headphone jacks x 2: Stereo 1/4-inch phone type
Power Consumption	24 W
Dimensions (including dedicated stand)	1,378 (W) x 424 (D) x 992 (H) mm / 54-1/4 (W) x 16-3/4 (D) x 39-1/16 (H) inches (with music rest installed) 1,378 (W) x 424 (D) x 834 (H) mm / 54-1/4 (W) x 16-3/4 (D) x 32-7/8 (H) inches (with music rest detached)
Weight (including dedicated stand)	39 kg / 86 lbs
Accessories	Owner's Manual AC Adaptor Power Cord (for connecting AC Adaptor) Headphone Hook Music Rest

* In the interest of product improvement, the specifications and/or appearance of this unit are subject to change without prior notice.

English

Deutsch

Français

Italiano

Español

Português

Nederlands

Tone List

Piano [Grand] button

No.	Name	Explanation
GP 1	Grand Piano 1	A splendid concert grand piano sound. This is the most highly recommended tone; it can be used for any style of music.
GP 2	Grand Piano 2	A more mellow grand piano sound. Appropriate for quiet songs.
GP 3	Grand Piano 3	A brilliant grand piano sound. Appropriate when you want the piano to stand out in the band.
GP 4	Ragtime	A honky-tonk piano. Ideal for ragtime.

Piano [Ensemble] button

No.	Name	Explanation
En 1	Piano + Strings	GP1 layered with strings.
En 2	Piano + Choir	GP1 layered with choir.
En 3	Piano + Bell	GP1 layered with bell.
En 4	Piano / Bs+Cymbal	The low range plays a bass and ride cymbal, and the mid and high ranges play the GP1. Ideal for performing a "piano trio" by yourself.

MEMO

- Tone names that include a "+" symbol are "dual tones," which layer two different tones such as piano and strings.
- Tone names that include a "/" are "split tones" in which the left-hand and right-hand sections of the keyboard play different tones.

No.	Name
0 1	E. Piano 1
0 2	E. Piano 2
0 3	Harpsichord 1
0 4	Harpsichord 2
0 5	Vibraphone
0 6	Celesta
0 7	Synth Bell
0 8	Church Organ 1
0 9	Church Organ 2
0 10	Jazz Organ 1
0 11	Jazz Organ 2

No.	Name
0 12	Accordion
0 13	Strings 1
0 14	Strings 2
0 15	Jazz Scat
0 16	Choir 1
0 17	Choir 2
0 18	Choir 3
0 19	Synth Pad
0 20	Harp
0 21	Nylon-str. Gt
0 22	Steel-str. Gt

Internal Song List

No.	Song Name	Composer
001	Valse, op.34-1	Fryderyk Franciszek Chopin
002	Polonaise op.53	Fryderyk Franciszek Chopin
003	Nocturne No.20	Fryderyk Franciszek Chopin
004	Die Forelle	Franz Peter Schubert, Arranged by Franz Liszt
005	Reflets dans l'Eau	Claude Achille Debussy
006	La Fille aux Cheveux de Lin	Claude Achille Debussy
007	La Campanella	Franz Liszt
008	Scherzo No.2	Fryderyk Franciszek Chopin
009	Étude, op.10-12	Fryderyk Franciszek Chopin
010	Sonate No.15	Wolfgang Amadeus Mozart
011	Liebesträume 3	Franz Liszt
012	Étude, op.10-3	Fryderyk Franciszek Chopin
013	Je te veux	Erik Satie
014	Valse, op.64-1	Fryderyk Franciszek Chopin
015	Golliwog's Cakewalk	Claude Achille Debussy
016	Fantaisie-Impromptu	Fryderyk Franciszek Chopin
017	Arabesque 1	Claude Achille Debussy
018	An der schönen, blauen Donau	Johann Strauss, Sohn
019	Auf Flügeln des Gesanges	Felix Mendelsshon
020	Mazurka No.5	Fryderyk Franciszek Chopin
021	Gymnopédie 1	Erik Satie
022	Étude, op.25-1	Fryderyk Franciszek Chopin
023	Clair de Lune	Claude Achille Debussy
024	Étude, op.10-5	Fryderyk Franciszek Chopin
025	Dr. Gradus ad Parnassum	Claude Achille Debussy
026	Grande Valse Brillante	Fryderyk Franciszek Chopin
027	La prière d'une Vierge	Tekla Badarzewska
028	Course en Troïka	Peter Ilyich Tchaikovsky
029	To The Spring	Edvard Hagerup Grieg
030	Valse, op.64-2	Fryderyk Franciszek Chopin
031	Radetzky Marsch	Johann Baptist Strauss
032	Träumerei	Robert Alexander Schumann
033	Moments Musicaux 3	Franz Peter Schubert
034	Prélude, op.28-15	Fryderyk Franciszek Chopin
035	Harmonious Blacksmith	Georg Friedrich Händel
036	Ungarische Tänze 5	Johannes Brahms
037	Türkischer Marsch	Ludwig van Beethoven
038	Nocturne No.2	Fryderyk Franciszek Chopin
039	Frühlingslied	Felix Mendelsshon
040	Präludium	Johann Sebastian Bach
041	Jägerlied	Felix Mendelsshon
042	Passepied	Claude Achille Debussy
043	Für Elise	Ludwig van Beethoven
044	Türkischer Marsch	Wolfgang Amadeus Mozart
045	Ständchen	Franz Peter Schubert
046	Humoreske	Antonín Dvořák
047	Blumenlied	Gustav Lange
048	Alpenglöckchen	Theodor Oesten
049	Menuett G dur	Ludwig van Beethoven
050	Venezianisches Gondellied	Felix Mendelsshon
051	Alpenabendröte	Theodor Oesten
052	Farewell to the Piano	Ludwig van Beethoven
053	Brautchor	Wilhelm Richard Wagner
054	Forget-Me-Not	Heinrich Lichner

No.	Song Name	Composer
055	Wiener Marsch	Carl Czerny
056	Le Coucou	Louis Claude Daquin
057	Menuett G dur	Johann Sebastian Bach
058	Spinnerlied	Albert Ellmenreich
059	Gavotte	François Joseph Gossec
060	Heidenröslein	Gustav Lange
061	Zigeuner Tanz	Heinrich Lichner
062	La Cinquantaine	Gabriel Marie
063	Csikos Post	Hermann Necke
064	Dolly's Dreaming Awakening	Theodor Oesten
065	La Violette	Louis Streabbog
066	Fröhlicher Landmann	Robert Alexander Schumann
067	Sonatine op.36-1	Muzio Clementi
068	Sonatine op.20-1	Friedrich Kuhlau
069	Sonatine No.5	Ludwig van Beethoven
070 - 099	Czerny 100 1-99	Carl Czerny
070	Czerny 100 100	Carl Czerny
080 - 099	Hanon 1-20	Charles Hanon

- * All rights reserved. Unauthorized use of this material for purposes other than private, personal enjoyment is a violation of applicable laws.
- * Musical scores are not included with this unit. You can purchase musical scores from their respective publishers.
- * No data for the music that is played will be output from MIDI Out connector.

English

Deutsch

Français

Italiano

Español

Português

Nederlands

USING THE UNIT SAFELY

• Explanations noted as (F-120 only) or (RP301 only) are cautions that apply only to the corresponding model; the F-120 or the RP301. They do not apply to other models.

USING THE UNIT SAFELY

INSTRUCTIONS FOR THE PREVENTION OF FIRE, ELECTRIC SHOCK, OR INJURY TO PERSONS

About ⚠ WARNING and ⚠ CAUTION Notices

⚠ WARNING	Used for instructions intended to alert the user to the risk of death or severe injury should the unit be used improperly.
⚠ CAUTION	Used for instructions intended to alert the user to the risk of injury or material damage should the unit be used improperly. * Material damage refers to damage or other adverse effects caused with respect to the home and all its furnishings, as well to domestic animals or pets.

About the Symbols

	The ⚠ symbol alerts the user to important instructions or warnings. The specific meaning of the symbol is determined by the design contained within the triangle. In the case of the symbol at left, it is used for general cautions, warnings, or alerts to danger.
	The 🔥 symbol alerts the user to items that must never be carried out (are forbidden). The specific thing that must not be done is indicated by the design contained within the circle. In the case of the symbol at left, it means that the unit must never be disassembled.
	The ⚡ symbol alerts the user to things that must be carried out. The specific thing that must be done is indicated by the design contained within the circle. In the case of the symbol at left, it means that the power-cord plug must be unplugged from the outlet.

ALWAYS OBSERVE THE FOLLOWING

⚠ WARNING

Do not open or perform any internal modifications on the unit.



Do not attempt to repair the unit, or replace parts within it (except when this manual provides specific instructions directing you to do so). Refer all servicing to your retailer, the nearest Roland Service Center, or an authorized Roland distributor, as listed on the "Information" page.



Never install the unit in any of the following locations.



- Subject to temperature extremes (e.g., direct sunlight in an enclosed vehicle, near a heating duct, on top of heat-generating equipment); or are
- Damp (e.g., baths, washrooms, on wet floors); or are
- Exposed to steam or smoke; or are
- Subject to salt exposure; or are
- Humid; or are
- Exposed to rain; or are
- Dusty or sandy; or are
- Subject to high levels of vibration and shakiness.



Make sure you always have the unit placed so it is level and sure to remain stable. Never place it on stands that could wobble, or on inclined surfaces.



Be sure to use only the AC adaptor supplied with the unit. Also, make sure the line voltage at the installation matches the input voltage specified on the AC adaptor's body. Other AC adaptors may use a different polarity, or be designed for a different voltage, so their use could result in damage, malfunction, or electric shock.



Use only the attached power-supply cord. Also, the supplied power cord must not be used with any other device.



Do not excessively twist or bend the power cord, nor place heavy objects on it. Doing so can damage the cord, producing severed elements and short circuits. Damaged cords are fire and shock hazards!



This unit, either alone or in combination with an amplifier and headphones or speakers, may be capable of producing sound levels that could cause permanent hearing loss. Do not operate for a long period of time at a high volume level, or at a level that is uncomfortable. If you experience any hearing loss or ringing in the ears, you should immediately stop using the unit, and consult an audiologist.



⚠ WARNING

Do not place containers containing liquid (e.g., flower vases) on this product. Never allow foreign objects (e.g., flammable objects, coins, wires) or liquids (e.g., water or juice) to enter this product. Doing so may cause short circuits, faulty operation, or other malfunctions.



Immediately turn the power off, remove the AC adaptor from the outlet, and request servicing by your retailer, the nearest Roland Service Center, or an authorized Roland distributor, as listed on the "Information" page when:



- The AC adaptor, the power-supply cord, or the plug has been damaged; or
- If smoke or unusual odor occurs
- Objects have fallen into, or liquid has been spilled onto the unit; or
- The unit has been exposed to rain (or otherwise has become wet); or
- The unit does not appear to operate normally or exhibits a marked change in performance.

In households with small children, an adult should provide supervision until the child is capable of following all the rules essential for the safe operation of the unit.



Protect the unit from strong impact. (Do not drop it!)



Do not force the unit's power-supply cord to share an outlet with an unreasonable number of other devices. Be especially careful when using extension cords—the total power used by all devices you have connected to the extension cord's outlet must never exceed the power rating (watts/ amperes) for the extension cord. Excessive loads can cause the insulation on the cord to heat up and eventually melt through.



Before using the unit in a foreign country, consult with your retailer, the nearest Roland Service Center, or an authorized Roland distributor, as listed on the "Information" page.



⚠ CAUTION

The unit and the AC adaptor should be located so their location or position does not interfere with their proper ventilation.



Always grasp only the plug on the AC adaptor cord when plugging into, or unplugging from, an outlet or this unit.



⚠ CAUTION

At regular intervals, you should unplug the AC adaptor and clean it by using a dry cloth to wipe all dust and other accumulations away from its prongs. Also, disconnect the power plug from the power outlet whenever the unit is to remain unused for an extended period of time. Any accumulation of dust between the power plug and the power outlet can result in poor insulation and lead to fire.



Try to prevent cords and cables from becoming entangled. Also, all cords and cables should be placed so they are out of the reach of children.



Never climb on top of, nor place heavy objects on the unit.



Never handle the AC adaptor or its plugs with wet hands when plugging into, or unplugging from, an outlet or this unit.



If you need to move the instrument, take note of the precautions listed below. At least two persons are required to safely lift and move the unit. It should be handled carefully, all the while keeping it level. Make sure to have a firm grip, to protect yourself from injury and the instrument from damage.



- Check to make sure the screws securing the unit to the stand have not become loose. Fasten them again securely whenever you notice any loosening.
- Disconnect the power cord.
- Disconnect all cords coming from external devices.
- Close the lid.
- Raise the adjusters on the stand (p. 22) (RP301 only).
- Remove the music stand (RP301 only).

Before cleaning the unit, turn off the power and unplug the AC adaptor from the outlet (p. 22).



Whenever you suspect the possibility of lightning in your area, disconnect the AC adaptor from the outlet.



Be careful when opening/closing the lid so you do not get your fingers pinched (p. 6). Adult supervision is recommended whenever small children use the unit.



To prevent accidental ingestion of the parts listed below, always keep them out of the reach of small children.

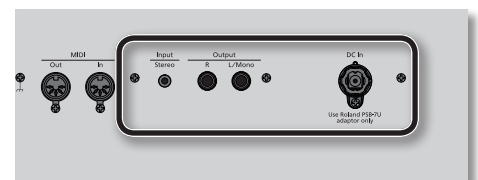


- Included/Removable Parts Screws (p. 22)

If you remove the screw from the ground terminal, be sure to replace it; don't leave it lying around where it could accidentally be swallowed by small children. When refastening the screw, make that it is firmly fastened, so it won't come loose.



The area shown in the illustration may reach a high temperature, so take care to avoid burns.





IMPORTANT NOTES

• Explanations noted as (F-120 only) or (RP301 only) are cautions that apply only to the corresponding model; the F-120 or the RP301. They do not apply to other models.

Power Supply

- Do not connect this unit to same electrical outlet that is being used by an electrical appliance that is controlled by an inverter (such as a refrigerator, washing machine, microwave oven, or air conditioner), or that contains a motor. Depending on the way in which the electrical appliance is used, power supply noise may cause this unit to malfunction or may produce audible noise. If it is not practical to use a separate electrical outlet, connect a power supply noise filter between this unit and the electrical outlet.
- The AC adaptor will begin to generate heat after long hours of consecutive use. This is normal, and is not a cause for concern.
- Before connecting this unit to other devices, turn off the power to all units. This will help prevent malfunctions and/or damage to speakers or other devices.
- With the factory settings, the unit's power will automatically be switched off 240 minutes (4 hours) after you stop playing or operating the unit. If the unit's power has been turned off automatically, you can use the [Power] switch to turn the unit back on again. If you don't want the power to turn off automatically, change the "Auto Off" setting to "OFF" as described on "Making the Power Automatically Turn Off After a Time (Auto Off)" (p. 15).

Placement

- Using the unit near power amplifiers (or other equipment containing large power transformers) may induce hum. To alleviate the problem, change the orientation of this unit; or move it farther away from the source of interference.
- This device may interfere with radio and television reception. Do not use this device in the vicinity of such receivers.
- Noise may be produced if wireless communications devices, such as cell phones, are operated in the vicinity of this unit. Such noise could occur when receiving or initiating a call, or while conversing. Should you experience such problems, you should relocate such wireless devices so they are at a greater distance from this unit, or switch them off.
- Do not expose the unit to direct sunlight, place it near devices that radiate heat, leave it inside an enclosed vehicle, or otherwise subject it to temperature extremes. Also, do not allow lighting devices that normally are used while their light source is very close to the unit (such as a piano light), or powerful spotlights to shine upon the same area of the unit for extended periods of time. Excessive heat can deform or discolor the unit.
- When moved from one location to another where the temperature and/or humidity is very different, water droplets (condensation) may form inside the unit. Damage or malfunction may result if you attempt to use the unit in this condition. Therefore, before using the unit, you must allow it to stand for several hours, until the condensation has completely evaporated.
- Do not allow rubber, vinyl, or similar materials to remain on this unit for long periods of time. Such objects can discolor or otherwise harmfully affect the finish.
- Do not allow objects to remain on top of the keyboard. This can be the cause of malfunction, such as keys ceasing to produce sound.
- Do not paste stickers, decals, or the like to this instrument. Peeling such matter off the instrument may damage the exterior finish.
- Do not put anything that contains water (e.g., flower vases) on this unit. Also, avoid the use of insecticides, perfumes, alcohol, nail polish, spray cans, etc., near the unit. Swiftly wipe away any liquid that spills on the unit using a dry, soft cloth.

- Depending on the material and temperature of the surface on which you place the unit, its rubber feet may discolor or mar the surface. You can place a piece of felt or cloth under the rubber feet to prevent this from happening. If you do so, please make sure that the unit will not slip or move accidentally (F-120 only).

Maintenance

- To clean the unit, use a dry, soft cloth; or one that is slightly dampened. Try to wipe the entire surface using an equal amount of strength, moving the cloth along with the grain of the wood. Rubbing too hard in the same area can damage the finish.
- Never use benzene, thinners, alcohol or solvents of any kind, to avoid the possibility of discoloration and/or deformation.
- The pedals of this unit are made of brass. Brass eventually darkens as the result of the natural oxidation process. If the brass becomes tarnished, polish it using commercially available metal polisher (RP301 only).

Repairs and Data

- Please be aware that all data contained in the unit's memory may be lost when the unit is sent for repairs. Important data should always be written down on paper (when possible). During repairs, due care is taken to avoid the loss of data. However, in certain cases (such as when circuitry related to memory itself is out of order), we regret that it may not be possible to restore the data, and Roland assumes no liability concerning such loss of data.

Care of the keyboard

- Do not write on the keyboard with any pen or other implement, and do not stamp or place any marking on the instrument. Ink will seep into the surface lines and become unremovable.
- Do not affix stickers on the keyboard. You may be unable to remove stickers that use strong adhesives, and the adhesive may cause discoloration.
- To remove stubborn dirt, use a commercially available keyboard cleaner that does not contain abrasives. Start by wiping lightly. If the dirt does not come off, wipe using gradually increasing amounts of pressure while taking care not to scratch the keys.

Additional Precautions

- Please be aware that the contents of memory can be irretrievably lost as a result of a malfunction, or the improper operation of the unit. Write down any important settings so that you can make them again if necessary.
- Unfortunately, it may be impossible to restore the contents of data that was stored in the unit's memory once it has been lost. Roland Corporation assumes no liability concerning such loss of data.
- Use a reasonable amount of care when using the unit's buttons, sliders, or other controls; and when using its jacks and connectors. Rough handling can lead to malfunctions.
- Never strike or apply strong pressure to the display.
- When connecting / disconnecting all cables, grasp the connector itself—never pull on the cable. This way you will avoid causing shorts, or damage to the cable's internal elements.
- To avoid disturbing your neighbors, try to keep the unit's volume at reasonable levels. You may prefer to use headphones, so you do not need to be concerned about those around you.
- The sound of keys being struck and vibrations produced by playing an instrument can be transmitted through a floor or wall to an unexpected extent. In particular, when using headphones, please take care not to cause annoyance to others nearby.

- When you need to transport the unit, pack it in shock-absorbent material. Transporting the unit without doing so can cause it to become scratched or damaged, and could lead to malfunction.
- Some connection cables contain resistors. Do not use cables that incorporate resistors for connecting to this unit. The use of such cables can cause the sound level to be extremely low, or impossible to hear. For information on cable specifications, contact the manufacturer of the cable.
- The explanations in this manual include illustrations that depict what should typically be shown by the display. Note, however, that your unit may incorporate a newer, enhanced version of the system, so what you actually see in the display may not always match what appears in the manual.
- Do not apply undue force to the music stand while it is in use (RP301 only).
- Before opening or closing the keyboard lid, always make sure that no pets or other small animals are located on top of the instrument (in particular, they should be kept away from the keyboard and its lid). Otherwise, due to the structural design of this instrument, small pets or other animals could end up getting trapped inside it. If such a situation is encountered, you must immediately switch off the power and disconnect the power cord from the outlet. You should then consult with the retailer from whom the instrument was purchased, or contact the nearest Roland Service Center (RP301 only).

- * Recording, duplication, distribution, sale, lease, performance, or broadcast of copyrighted material (musical works, visual works, broadcasts, live performances, etc.) belonging to a third party in part or in whole without the permission of the copyright owner is forbidden by law. Do not use this product for purposes that could infringe on a copyright held by a third party. We assume no responsibility whatsoever with regard to any infringements of third-party copyrights arising through your use of this product.
- * The copyright of content in this product (the sound waveform data, style data, accompaniment patterns, phrase data, audio loops and image data) is reserved by Roland Corporation and/or Atelier Vision Corporation. Purchasers of this product are permitted to utilize said content for the creating, performing, recording and distributing original musical works. Purchasers of this product are NOT permitted to extract said content in original or modified form, for the purpose of distributing recorded medium of said content or making them available on a computer network.
- * Roland, SuperNATURAL are either registered trademarks or trademarks of Roland Corporation in the United States and/or other countries.
- * MMP (Moore Microprocessor Portfolio) refers to a patent portfolio concerned with microprocessor architecture, which was developed by Technology Properties Limited (TPL). Roland has licensed this technology from the TPL Group.
- * Featuring digital fonts by Yourname, Inc. Digital font: Copyright © Yourname, Inc.
- * Company names and product names appearing in this document are registered trademarks or trademarks of their respective owners.

English

Deutsch

Français

Italiano

Español

Português

Nederlands

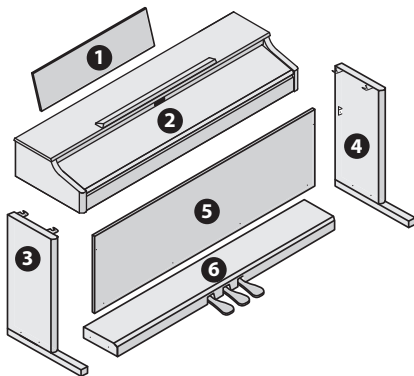
Assembling

- * To ensure that you assemble this unit correctly, please read this manual carefully before you begin assembly. Keep this manual nearby for reference when needed.
- * Keep this unit horizontal when lifting it during assembly or transport.
- * Be careful not to pinch your hands or drop this unit on your foot during assembly or transport.
- * You must obtain the assistance of at least one additional person when assembling or transporting this unit.
- * Keep small parts such as screws out of the reach of small children to ensure that these items are not swallowed accidentally.
- * The screwdriver needed for assembly is not included. You will need to provide a Phillips screwdriver of the appropriate size for the screws.
- * You should initially tighten each screw loosely before tightening them to their final position. Start by tightening the screws until they are approximately half hidden. Do not use a power screwdriver when tightening the screws to their final position. Doing so may strip the threads.
- * Tighten the screws firmly, and place the unit at a location that is level and sure to remain stable. Never place the unit on a shag carpet. If you do so, the pedal may be unstable, causing damage.
- * Do not place the body of the piano directly on the floor. Doing so will damage the jacks and holders on the bottom of the piano, and also damage the bottom panel case.

Copyright © 2011 ROLAND CORPORATION

All rights reserved. No part of this publication may be reproduced in any form without the written permission of ROLAND CORPORATION.

Check the Parts



- 1 Music rest
- 2 Piano main unit
- 3 Side board (left)
- 4 Side board (right)
- 5 Rear board
- 6 Pedal board

- A Screw (4 x 14 mm): 2 pcs.
- B Screw (4 x 20 mm): 4 pcs.
- C Screw (5 x 40 mm): 4 pcs.
- D Screw (5 x 20 mm): 2 pcs.
- E Screw (4 x 16 mm): 2 pcs.
- F Headphone hook: 1 pcs.

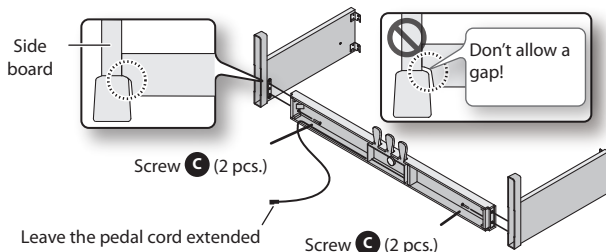
1. Stand Assembly

- * At first, assemble the entire stand in a temporary fashion, without really tightening the screws. Then, after checking the overall alignment of the boards (and gently shifting certain parts where necessary), go around and tightly fasten each of the screws.
- * If necessary, spread out a blanket or similar material to prevent the stand or floor from being scratched during assembly.
- * Be careful not to pinch the pedal cord during assembly.

1. As shown in the illustration, place the left and right side boards on the pedal board so that the metal brackets are on the inside, and fasten them provisionally using screws **C** (5 x 40 mm).

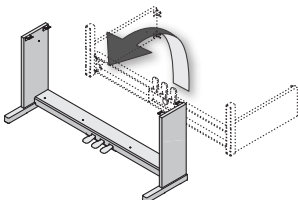
2. Hand-tighten screws **C** (four locations), and then use a screwdriver to tighten them securely.

- * When attaching the pedal board, do not allow any gap to remain between the side board and pedal board when the pieces are assembled.



3. With the help of another person, raise the left and right side boards to an upright position.

- * Take care that the pedal boards are not twisted.



4. Place the rear board as shown below and adjust the screw holes of the rear board and the pedal board.

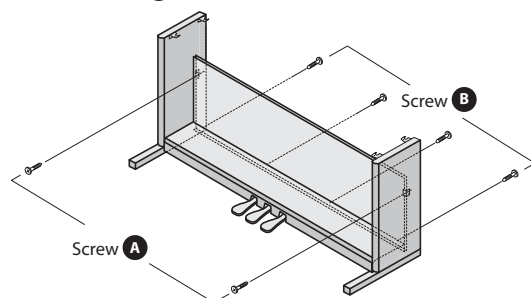
- * If you have difficulty inserting the rear board, loosen screws **C** so it is easier to position the rear board in the stand.



5. Attach the rear board to the metal parts on the side boards from the front using screws **A** (4 x 14 mm).

- For clamping the rear board, press each upper portion of both side boards.

6. Then, fasten it to the pedal board from the back using screws **B** (4 x 20 mm).



7. Go around and tighten all the screws, while at the same time correcting the orientation of any piece that needs it, until everything fits together properly.

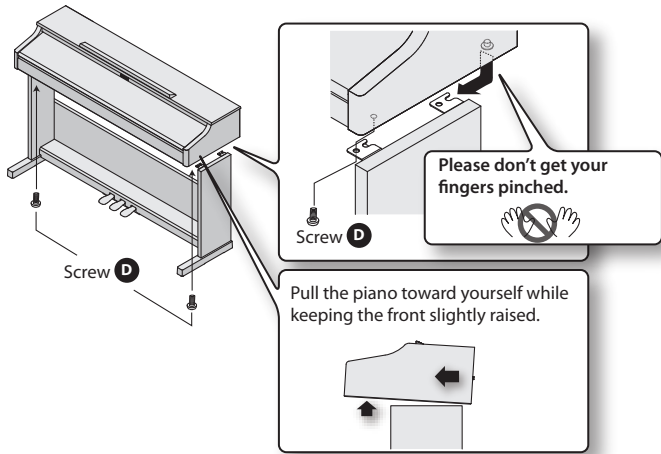
- * When attaching the rear board, before tightening the screws, adjust things as necessary at all the points where there are screws so as to assure that the rear board is aligned in parallel with the pedal board.

2. Assembling the Piano

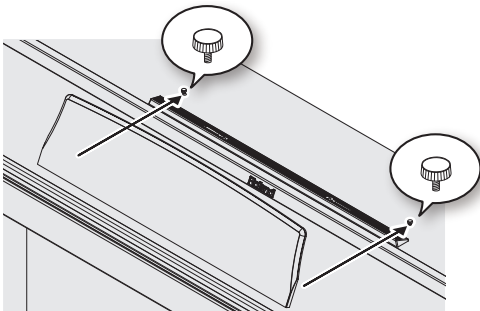
1. Align the screws on the bottom of the piano (one each at left and right) with the metal brackets on the side boards, and while keeping the front of the piano slightly raised, pull it toward yourself to engage the screws in the metal brackets.

* When handling the piano, firmly grasp it. Be careful, so you do not get your fingers pinched.

2. Fasten the piano to the stand with the screw **D** (5 x 20 mm).



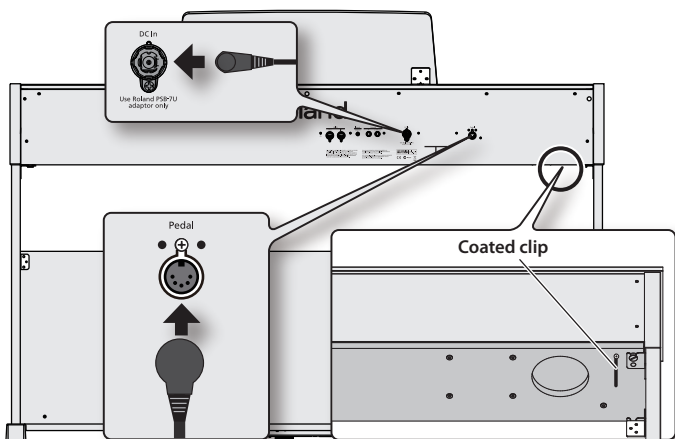
3. Loosen the music rest screws slightly (2–3 mm), insert the music rest brackets between the screws and the body of the piano, and turn the screws to secure the music rest while using one hand to support the music rest.



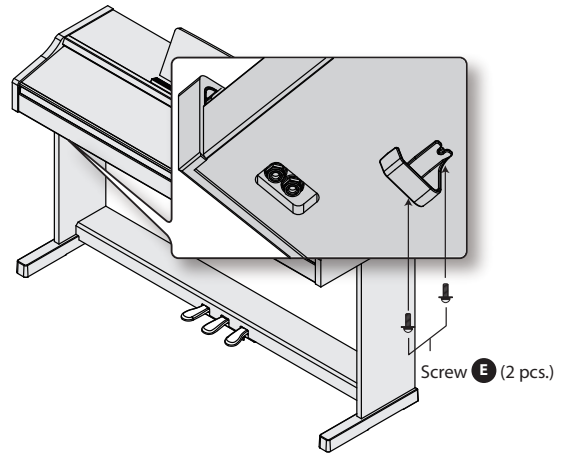
When attaching the music rest, make sure that it is firmly inserted all the way toward the back, and use your hand to support the music rest so that it does not fall. Also take care not to pinch your hand.

- * Do not apply excessive force to the music rest.
- * If you need to remove the music rest, loosen the screws while using one hand to support the music rest. Detach the music rest, and then firmly retighten the screws.

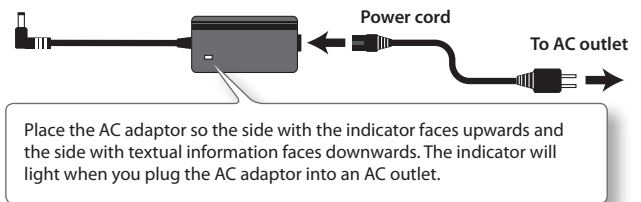
4. Connect the AC adaptor to the DC In jack on the back of the piano, and connect the pedal cord to the Pedal connector. As needed, use the coated clip on the bottom of the piano to fasten the power cord and the pedal cord.



5. Use screws **E** (4 x 16 mm) to fasten the headphone hook.

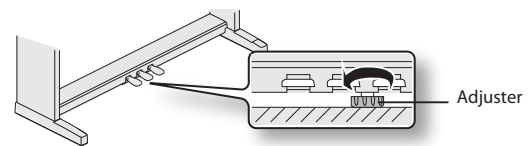


6. Connect the supplied AC adaptor and power cord.



7. Adjust the Adjuster.

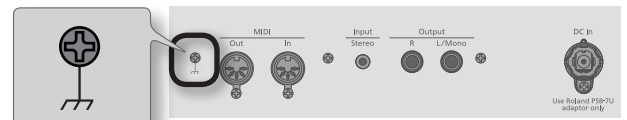
Turn the adjuster to lower it until the adjuster is in firm contact with the floor. In particular, when you've placed the piano on carpet, you must turn the adjuster until it is pressing firmly against the floor.



* The pedal may be damaged if there is a gap between the adjuster and the floor.

About ground terminal

Depending on the circumstances of a particular setup, you may experience a discomforting sensation, or perceive that the surface feels gritty to the touch when you touch this device. This is due to an infinitesimal electrical charge, which is absolutely harmless. However, if you are concerned about this, connect the ground terminal (see figure) with an external ground. When the unit is grounded, a slight hum may occur, depending on the particulars of your installation. If you are unsure of the connection method, contact the nearest Roland Service Center, or an authorized Roland distributor, as listed on the "Information" page.



Unsuitable places for connection

- Water pipes (may result in shock or electrocution)
- Gas pipes (may result in fire or explosion)
- Telephone-line ground or lightning rod (may be dangerous in the event of lightning)

When moving the unit

If you need to move the unit, you must first detach the music rest, close the keyboard cover, disconnect the AC adaptor, and raise the stand adjuster. With at least one other person helping you, lift the unit horizontally and carry it, taking care not to pinch your hands or drop the unit on your feet.

Index

A

- AC adaptor 23
- Auto Off..... 15

B

- Beat..... 7
- Brilliance 9

D

- Damper Pedal 4
- DC In connector 23

F

- Factory Reset 15
- Function Mode 12

G

- Ground terminal..... 23

H

- Headphone jacks 5

I

- Input jack 5

K

- Key Touch 9
- [Key Touch] button 9

L

- Lid 6
- Local Control 14

M

- Master Tuning 13
- Memory Backup 12
- Message List..... 17
- Metronome 7
- [Metronome] button..... 7
- MIDI..... 14
- MIDI Transmit Channel..... 14
- MIDI Visual Control 13

O

- Output jacks..... 5

P

- Panel Lock..... 8
- Parts 10
- Pedal..... 4
- Pedal connector 23
- [Piano] button..... 7
- [Power] switch..... 6

R

- Recording 11
- Reverb Effect 9

S

- Soft Pedal 4
- Song 10
- [Song] button 10
- Song List 19
- Sostenuto Pedal 4

T

- Tempo 7
- Tone List 18
- Transpose 13
- Twin Piano 8

V

- Visual Control Channel..... 13
- Visual Control Mode 13
- V-LINK..... 13
- [Volume] knob 4

For EU Countries



- UK** This symbol indicates that in EU countries, this product must be collected separately from household waste, as defined in each region. Products bearing this symbol must not be discarded together with household waste.
- DE** Dieses Symbol bedeutet, dass dieses Produkt in EU-Ländern getrennt vom Hausmüll gesammelt werden muss gemäß den regionalen Bestimmungen. Mit diesem Symbol gekennzeichnete Produkte dürfen nicht zusammen mit dem Hausmüll entsorgt werden.
- FR** Ce symbole indique que dans les pays de l'Union européenne, ce produit doit être collecté séparément des ordures ménagères selon les directives en vigueur dans chacun de ces pays. Les produits portant ce symbole ne doivent pas être mis au rebut avec les ordures ménagères.
- IT** Questo simbolo indica che nei paesi della Comunità europea questo prodotto deve essere smaltito separatamente dai normali rifiuti domestici, secondo la legislazione in vigore in ciascun paese. I prodotti che riportano questo simbolo non devono essere smaltiti insieme ai rifiuti domestici. Ai sensi dell'art. 13 del D.Lgs. 25 luglio 2005 n. 151.
- ES** Este símbolo indica que en los países de la Unión Europea este producto debe recogerse aparte de los residuos domésticos, tal como está regulado en cada zona. Los productos con este símbolo no se deben depositar con los residuos domésticos.
- PT** Este símbolo indica que nos países da UE, a recolha deste produto deverá ser feita separadamente do lixo doméstico, de acordo com os regulamentos de cada região. Os produtos que apresentem este símbolo não deverão ser eliminados juntamente com o lixo doméstico.
- NL** Dit symbool geeft aan dat in landen van de EU dit product gescheiden van huishoudelijk afval moet worden aangeboden, zoals bepaald per gemeente of regio. Producten die van dit symbool zijn voorzien, mogen niet samen met huishoudelijk afval worden verwijderd.
- DK** Dette symbol angiver, at i EU-lande skal dette produkt opsamles adskilt fra husholdningsaffald, som defineret i hver enkelt region. Produkter med dette symbol må ikke smides ud sammen med husholdningsaffald.
- NO** Dette symbolet indikerer at produktet må behandles som spesialavfall i EU-land, iht. til retningslinjer for den enkelte regionen, og ikke kastes sammen med vanlig husholdningsavfall. Produkter som er merket med dette symbolet, må ikke kastes sammen med vanlig husholdningsavfall.

- SE** Symbolen anger att i EU-länder måste den här produkten kasseras separat från hushållsavfall, i enlighet med varje regions bestämmelser. Produkter med den här symbolen får inte kasseras tillsammans med hushållsavfall.
- FI** Tämä merkintä ilmaisee, että tuote on EU-maissa kerättävä erillään kotitalousjätteistä kunkin alueen voimassa olevien määräysten mukaisesti. Tällä merkinnällä varustettuja tuotteita ei saa hävittää kotitalousjätteiden mukana.
- HU** Ez a szimbólum azt jelenti, hogy az Európai Unióban ezt a terméket a háztartási hulladéktól elkülönítve, az adott régióban érvényes szabályozás szerint kell gyűjteni. Az ezzel a szimbóllummal ellátott termékeket nem szabad a háztartási hulladék közé dobni.
- PL** Symbol oznacza, że zgodnie z regulacjami w odpowiednim regionie, w krajach UE produktu nie należy wyrzucać z odpadami domowymi. Produktów opatrzonych tym symbolem nie można utylizować razem z odpadami domowymi.
- CZ** Tento symbol udává, že v zemích EU musí být tento výrobek sbírán odděleně od domácího odpadu, jak je určeno pro každý region. Výrobky nesoucí tento symbol se nesmí vyhazovat spolu s domácím odpadem.
- SK** Tento symbol vyjadruje, že v krajinách EÚ sa musí zber tohto produktu vykonávať oddelene od domového odpadu, podľa nariadení platných v konkrétnej krajine. Produkty s týmto symbolom sa nesmú vyhazovať spolu s domovým odpadom.
- EE** See sümbol näitab, et EL-i maades tuleb see toode olemprügist eraldi koguda, nii nagu on igas piirkonnas määratletud. Selle sümboliga märgitud tooteid ei tohi ära visata koos olmeprügiga.
- LT** Šis simbolis rodo, kad ES šalyse šis produktas turi būti surenkamas atskirai nuo buitinių atliekų, kaip nustatyta kiekviename regione. Šiuo simboliu paženklinėti produktai neturi būti išmetami kartu su buitinių atliekomis.
- LV** Šis simbols norāda, ka ES valstīs šo produktu jāievāc atsevišķi no mājsaimniecības atkritumiem, kā noteikts katrā reģionā. Produkts ar šo simbolu nedrīkst izmest kopā ar mājsaimniecības atkritumiem.
- SI** Ta simbol označuje, da je treba proizvod v državah EU zbirati ločeno od gospodinskih odpadkov, tako kot je določeno v vsaki regiji. Proizvoda s tem znakom ni dovoljeno odlagati skupaj z gospodinskimi odpadki.
- GR** Το σύμβολο αυτό υποδηλώνει ότι στις χώρες της Ε.Ε. το συγκεκριμένο προϊόν πρέπει να συλλέγεται χωριστά από τα υπόλοιπα οικιακά απορρίμματα, σύμφωνα με όσα προβλέπονται σε κάθε περιοχή. Τα προϊόντα που φέρουν το συγκεκριμένο σύμβολο δεν πρέπει να απορρίπτονται μαζί με τα οικιακά απορρίμματα.

For China

有关产品中所含有害物质的说明

本资料就本公司产品中所含的特定有害物质及其安全性予以说明。
本资料适用于 2007 年 3 月 1 日以后本公司所制造的产品。

环保使用期限



此标志适用于在中国国内销售的电子信息产品，表示环保使用期限的年数。所谓环保使用期限是指在自制造日起的规定期限内，产品中所含的有害物质不致引起环境污染，不会对人身、财产造成严重的不良影响。环保使用期限仅在遵照产品使用说明书，正确使用产品的条件下才有效。不当的使用，将会导致有害物质泄漏的危险。

产品中有毒有害物质或元素的名称及含量

部件名称	有毒有害物质或元素					
	铅(Pb)	汞(Hg)	镉(Cd)	六价铬(Cr(VI))	多溴联苯(PBB)	多溴二苯醚(PBDE)
外壳(壳体)	×	○	○	○	○	○
电子部件(印刷电路板等)	×	○	×	○	○	○
附件(电源线、交流适配器等)	×	○	○	○	○	○

○：表示该有毒有害物质在该部件所有均质材料中的含量均在 SJ/T11363-2006 标准规定的限量要求以下。
×：表示该有毒有害物质至少在该部件的某一均质材料中的含量超出 SJ/T11363-2006 标准规定的限量要求。
因根据现有的技术水平，还没有什么物质能够代替它。

For the U.K.

IMPORTANT: THE WIRES IN THIS MAINS LEAD ARE COLOURED IN ACCORDANCE WITH THE FOLLOWING CODE.

BLUE: NEUTRAL
BROWN: LIVE

As the colours of the wires in the mains lead of this apparatus may not correspond with the coloured markings identifying the terminals in your plug, proceed as follows:

The wire which is coloured BLUE must be connected to the terminal which is marked with the letter N or coloured BLACK.

The wire which is coloured BROWN must be connected to the terminal which is marked with the letter L or coloured RED.

Under no circumstances must either of the above wires be connected to the earth terminal of a three pin plug.

For EU Countries



This product complies with the requirements of EMC Directive 2004/108/EC.

For the USA

FEDERAL COMMUNICATIONS COMMISSION RADIO FREQUENCY INTERFERENCE STATEMENT

This equipment has been tested and found to comply with the limits for a Class B digital device, pursuant to Part 15 of the FCC Rules. These limits are designed to provide reasonable protection against harmful interference in a residential installation. This equipment generates, uses, and can radiate radio frequency energy and, if not installed and used in accordance with the instructions, may cause harmful interference to radio communications. However, there is no guarantee that interference will not occur in a particular installation. If this equipment does cause harmful interference to radio or television reception, which can be determined by turning the equipment off and on, the user is encouraged to try to correct the interference by one or more of the following measures:

- Reorient or relocate the receiving antenna.
- Increase the separation between the equipment and receiver.
- Connect the equipment into an outlet on a circuit different from that to which the receiver is connected.
- Consult the dealer or an experienced radio/TV technician for help.

This device complies with Part 15 of the FCC Rules. Operation is subject to the following two conditions:

- (1) this device may not cause harmful interference, and
- (2) this device must accept any interference received, including interference that may cause undesired operation.

This equipment requires shielded interface cables in order to meet FCC class B limit.

Any unauthorized changes or modifications not expressly approved by the party responsible for compliance could void the user's authority to operate the equipment.

For Canada

NOTICE

This Class B digital apparatus meets all requirements of the Canadian Interference-Causing Equipment Regulations.

AVIS

Cet appareil numérique de la classe B respecte toutes les exigences du Règlement sur le matériel brouilleur du Canada.

For C.A. US (Proposition 65)

WARNING

This product contains chemicals known to cause cancer, birth defects and other reproductive harm, including lead.

Roland

